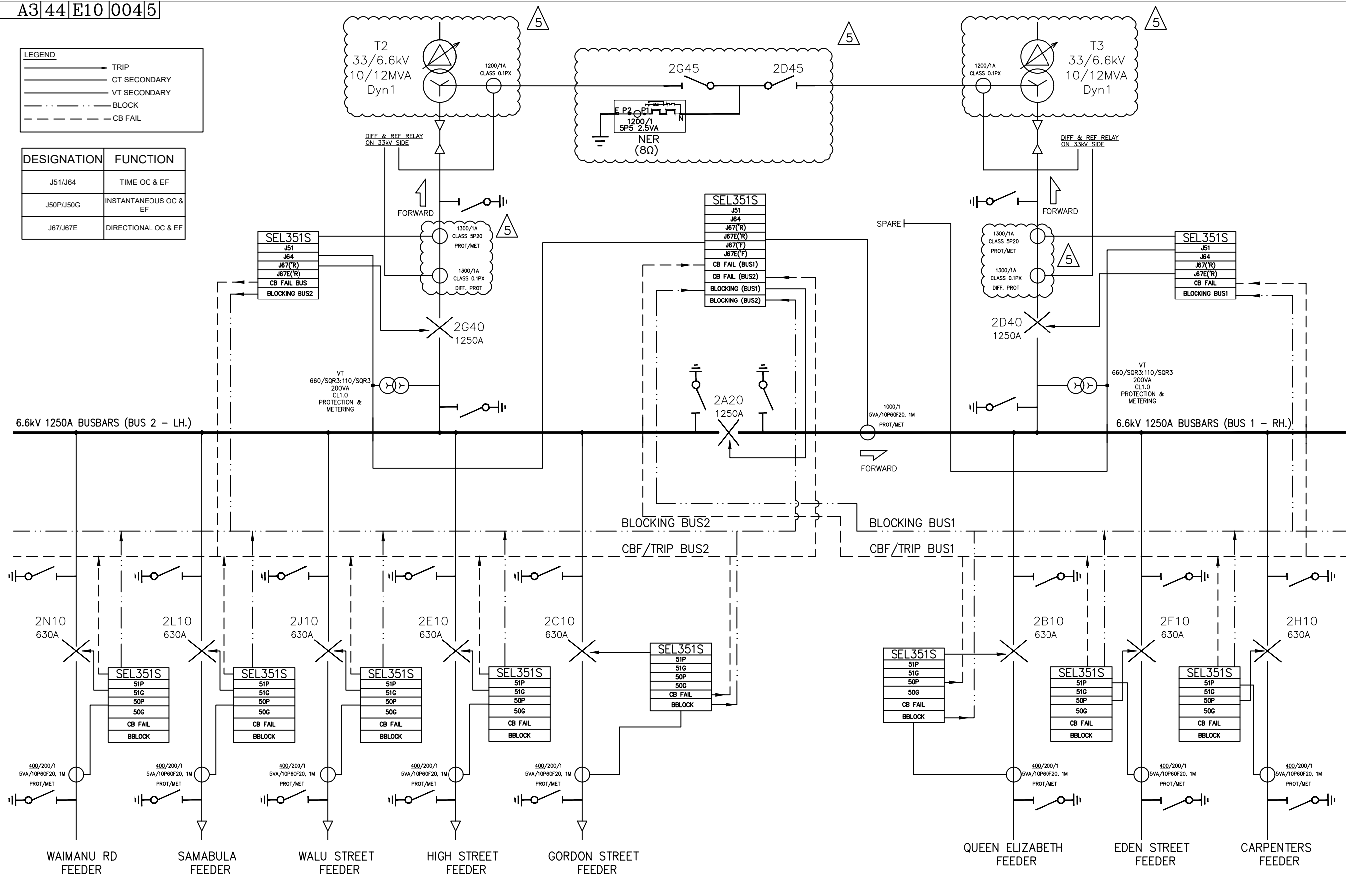


A3 44 E10 0045

LEGEND

- TRIP
- CT SECONDARY
- VT SECONDARY
- BLOCK
- - - CB FAIL

DESIGNATION	FUNCTION
J51/J64	TIME OC & EF
J50P/J50G	INSTANTANEOUS OC & EF
J67/J67E	DIRECTIONAL OC & EF



No.	REVISION	DATE	BY	CHK	PSD	APP	REFERENCE	DRAWING No.	TITLE
5.	TRANSFORMER UPGRADED, 6.6kV CT RATIOS REVISED.	02.12.20	D.N	K.P					
4.	NEW SEL RELAYS FOR FEEDERS & INCOMERS	14.05.18	L.T	K.P					
3.	DRAWING PUT ON EFL BORDER, EXISTING RELAY REMOVED	14.05.18	L.T	K.P					
2.	RELAY ELEMENT REARRANGED AS PER SETTINGS	06.05.02	A.R	S.P					
1.	INCOMER P127 SCADA OC, EF SEPARATED	01.01.02	A.R	S.P					

DRAWN	L. TUJISU	14/05/18
CHECKED	K. PRASAD	25/05/18
CHIEF DRAUGHTSMAN		
ENGINEER	K. PRASAD	
HEAD OF DEPARTMENT	O.D.S	

ENERGY FIJI LIMITED

SUVA 33/11/6.6kV SUBSTATION
6.6kV PROTECTION
SINGLE LINE DIAGRAM

DRAWING NUMBER
A3 44 E10 0045
SCALE