

Energy Fiji Limited



Tender Document

Tender No. : MR 24/2022

Supply of Radiator Unit for Containerized
Cummins QSK38-G3

Table of Content

1.0	<u>INVITATION FOR TENDERS</u>	3
2.0	<u>INSTRUCTION TO BIDDERS</u>	4
2.1	ELIGIBLE BIDDERS	4
2.2	ELIGIBLE MATERIALS, EQUIPMENT AND SERVICES	4
2.3	ONE BID PER BIDDER	4
2.4	COST OF BIDDING	4
2.5	SITE VISITS	4
2.6	CONTENTS OF THE BIDDING DOCUMENTS	5
2.7	CLARIFICATION OF BIDDING DOCUMENTS	5
2.8	AMENDMENT OF BIDDING DOCUMENT	5
2.9	LANGUAGE OF BID	5
2.10	BID PRICES	6
2.11	BID CURRENCIES	6
2.12	BID VALIDITY	6
2.13	FORMAT AND SIGNING OF BIDS	6
2.14	SEALING AND MARKING OF BIDS	6
2.15	DEADLINE FOR SUBMISSION OF BIDS	6
2.16	LATE BIDS	7
2.17	MODIFICATION AND WITHDRAWAL OF BIDS	7
2.18	REJECTION OF ONE OR ALL BIDS	7
2.19	PROCESS TO BE CONFIDENTIAL	7
2.20	CLARIFICATION OF BIDS	7
2.21	PRELIMINARY EXAMINATION	7
3.0	<u>TECHNICAL SPECIFICATION</u>	9
3.1	NOTE: APPLICABLE TO SCHEDULE	9
3.2	GENERAL INFORMATION	10
3.3	ENGINE SPECIFICATION:	10
3.4	ENVIRONMENTAL CONDITION	10
3.5	SCHEDULE OF REQUIREMENTS	11
4.0	<u>PRICE SCHEDULE</u>	12
4.1	COMPLIANCE CHECKLIST DECLARATION	13
4.2		14
5.0	<u>TENDER FORM</u>	15
6.0	<u>SUBMISSION TO TENDER</u>	16

1.0 Invitation for Tenders

Energy Fiji Limited is inviting bids for the supply of the Radiator unit for the Cummins QSK38-G3 housed in a 20ft Container. This radiator which is to be supplied must be operating efficiently at an ambient temperature of 50°C. Currently the Generator unit is located at EFL's Rokobili Power Station. The Detailed scope of works listed in the following pages.

Interested bidders may obtain Tender Document at the:

Supply Chain Office
Energy Fiji Limited
Head Office
2 Marlow Street, Suva
Contact: 322 4360/9992400/9987085

All tenders shall submit all documents required as per price template.

During evaluation of tenders, the Authority will invite a tenderer or tenderers for discussions, presentations and necessary clarification before awarding of the contract

The tender submissions close on the 23/02/22

2.0 Instruction to Bidders

2.1 Eligible Bidders

- 2.1.1. This invitation is open to all Bidders who have sound financial background, and have previous experience in supplying generators and/or generator parts or components.
- 2.1.2. Bidders shall provide such evidence of their continued eligibility satisfactory to EFL.
- 2.1.3. Bidders shall not be under a declaration of ineligibility for corrupt or fraudulent practice.

2.2 Eligible Materials, Equipment and Services

- 2.2.1. The materials, equipment, and services to be supplied under the Contract shall have their origin from reputable companies as specified by EFL and from various countries and all expenditures made under the Contract will be limited to such materials, equipment, and services. Upon request, bidders may be required to provide evidence of the origin of materials, equipment, and services.
- 2.2.2. For purposes of this Contract, "services" means the works and all project-related services including design services.
- 2.2.3. For purposes of this Contract, "origin" means the place where the materials and equipment are mined, grown, produced or manufactured, and from which the services are provided. Materials and equipment are produced when, through manufacturing, processing or substantial or major assembling of components, a commercial recognized product results that is substantially different in basic characteristics or in purpose or utility from its components.
- 2.2.4. The materials, equipment and services to be supplied under the Contract shall not infringe or violate any industrial property or intellectual property rights or claim of any third party.

2.3 One bid per Bidder

- 2.3.1. Each bidder shall submit only one bid. A bidder who submits or participates in more than one bid will cause all those bids to be rejected.

2.4 Cost of Bidding

- 2.4.1. The bidder shall bear all costs associated with the preparation and submission of its bid and EFL will in no case be responsible or liable for those costs.

2.5 Site Visits

- 2.5.1. No site visits are required for this tender.

2.6 Contents of the Bidding Documents

- 2.6.1. The bidder is expected to examine carefully the contents of this Bidding document. Failure to comply with the requirements of bid submission will be at the bidder's own risk. Bids which are not substantially responsive to the requirements of the bidding documents will be rejected.
- 2.6.2. The following are the mandatory submission of a successful tender bid;
- Pricing Schedule
 - Program of Works
 - Company Profile (Max 2 pages in standard A4)
 - Work History - Project/ Work done with referee, EFL work history.
 - Company background
 - Bidder available resources e.g. Manpower, Machines & Equipment.
 - OHS Policies or Plan
 - Fiji Revenue & Customs Service (FRCA) compliance
 - Fiji National Provident Fund (FNPF) compliance
 - Signed checklist declaration (Appendix 5.1)

Failure to submit required documents may affect bid compliance even make it non-compliance.

2.7 Clarification of Bidding Documents

- 2.7.1. A prospective bidder requiring any clarification of the bidding documents may notify EFL in writing by email addressed to:

Jitendra Reddy
Manager Procurement, Inventory & Supply Chain
2 Marlow Street,
Suva, Fiji
Phone: +679 3224360/9992400
Email: tenders@efl.com.fj

- 2.7.2. EFL will respond to any request for clarification which it receives earlier than 10 days prior to the deadline for submission of bids.

2.8 Amendment of Bidding Document

- 2.8.1. At any time prior to the deadline for submission of bids, EFL may, for any reason, whether at its own initiative or in response to a clarification requested by a prospective bidder, modify the bidding documents by issuing addenda.

2.9 Language of Bid

- 2.9.1. The bid, and all correspondence and documents related to the bid, exchanged between the bidder and the EFL shall be written in the English language.

2.10 Bid Prices

- 2.10.1. Unless specified otherwise, Bidders shall quote for the entire facilities on a "single responsibility" basis such that the total bid price covers all the Supplier's obligations mentioned in or to be reasonably inferred from the bidding documents in respect of the design, manufacture, including procurement and subcontracting (if any), testing and delivery.
- 2.10.2. Bidders shall give a breakdown of the prices in the manner and detail called for in this bidding document, or any issued addenda.
- 2.10.3. For Overseas Suppliers, bids shall be given on Delivered Duty Unpaid (DDU) basis. The point of delivery shall be Suva/Lautoka port for Sea or Nadi Airport for Air. The term DDU shall be governed by the rules prescribed in the current edition of Incoterms (i.e. the eighth version - Incoterms 2010), published by the International Chamber of Commerce, Paris. Stated Otherwise with validation.

2.11 Bid Currencies

- 2.11.1. Prices shall be quoted in a single currency only.

2.12 Bid Validity

- 2.12.1. Bids shall remain valid for a period of 60 days from the date of Deadline for Submission of Bids specified in Sub-Clause 2.15.

2.13 Format and Signing of Bids

- 2.13.1. The bidder shall provide one electronic copy of the Technical and Financial proposals on EFL's electronic tender hosting website; <https://www.tenderlink.com/efl>
- 2.13.2. The bid shall contain no alterations, omissions or additions, except those to comply with instructions issued by EFL, or as necessary to correct errors made by the bidder, in which case such corrections shall be initialled by the person or persons signing the bid.

2.14 Sealing and Marking of Bids

- 2.14.1. Due to the Covid19 restrictions on movements, bidders are encouraged to bid via Tenderlink Portal.

2.15 Deadline for Submission of Bids

- 2.15.1. Bids must be received by EFL at the address specified above no later than 1600 hours (Fiji Time) 23/02/22.
- 2.15.2. EFL may, at its discretion, extend the deadline for submission of bids by issuing an addendum, in which case all rights and obligations of EFL and the bidders previously subject to the original deadline will thereafter be subject to the deadlines extended.

2.16 Late Bids

- 2.16.1. Any bid received by EFL after the deadline for submission of bids prescribed above will be rejected and returned unopened to the bidder.

2.17 Modification and Withdrawal of Bids

- 2.17.1. The bidder may modify or withdraw its bid after bid submission, provided that written notice of the modification or withdrawal is received by EFL prior to the deadline for submission of bids.
- 2.17.2. No bid may be modified by the bidder after the deadline for submission of bids.

2.18 Rejection of one or all Bids

- 2.18.1. EFL reserves the right to accept or reject any bid, and to annul the bidding process and reject all bids, at any time prior to award of Contract, without thereby incurring any liability to the affected bidder or bidders or any obligation to inform the affected bidder or bidders of the grounds for the rejection.

2.19 Process to be Confidential

- 2.19.1. Information relating to the examination, clarification, evaluation and comparison of bids and recommendations for the award of a contract shall not be disclosed to bidders or any other persons not officially concerned with such process.
- 2.19.2. Any effort by a bidder to influence EFL's processing of bids or award decisions may result in the rejection of the bidder's bid.
- 2.19.3. Lowest bid will not necessarily be accepted as successful bid.

2.20 Clarification of Bids

- 2.20.1. To assist in the examination, evaluation and comparison of bids, EFL may, at its discretion, ask any bidder for clarification of its bid. The request for clarification and the response shall be in writing via email, but no change in the price or substance of the bid shall be sought, offered or permitted except as required to confirm the correction of arithmetic errors discovered by EFL in the evaluation of the bids.

2.21 Preliminary Examination

- 2.21.1. Energy Fiji Limited will examine the tenders to determine whether they are complete, whether any computational errors have been made, whether the documents have been properly signed, and whether the tenders are generally in order.
- 2.21.2. Arithmetical errors will be rectified on the following basis. If there is a discrepancy between the unit price and the total price that is obtained by multiplying the unit price and quantity, the unit price shall prevail, and the total price shall be corrected. If the tenderer does not accept the correction of the errors, its tender will be rejected. If there is a discrepancy between words and figures, the amount in words will prevail.

- 2.21.3. Energy Fiji Limited may waive any minor informality or non-conformity or irregularity in a tender which does not constitute a material deviation, provided such waiver does not prejudice or affect the relative ranking of any tenderer.
- 2.21.4. Prior to the detailed evaluation, pursuant to Clause 21, Energy Fiji Limited will determine the substantial responsiveness of each tender to the tender document. For purposes of these paragraphs, a substantially responsive tender is one, which conforms to all the terms and conditions of the tender document without material deviation. Energy Fiji Limited's determination of a tender's responsiveness is to be based on the contents of the tender itself without recourse to extrinsic evidence.
- 2.21.5. If a tender is not substantially responsive, it will be rejected by Energy Fiji Limited and may not subsequently be made responsive by the tenderer by correction of the nonconformity.

3.0 Technical Specification

3.1 Note: Applicable to Schedule

- 5.1.1. The Goods to be supplied must be genuine Cummins parts.
- 5.1.2. Bidders must also include price of core charges of certain cores if requested in schedule A. Value of core charges will have to be refunded back to Energy Fiji Limited once all necessary process has been carried out by the bidder.
- 5.1.3. At times part number had been replaced, changed or upgraded due to modification made by the manufacturer, Energy Fiji Limited will treat the bid document incomplete if tenderer quotes "invalid part number", noting that a genuine supplier will always have the new part number. Tenderer must also give new part numbers for old part numbers that have been replaced, and a statement of surety that this new part numbers will replace old parts without any hindrance to the operation of the engine.
- 5.1.4. Relevant descriptive literature of the Goods showing conformity to technical specification shall be provided with the bid.
- 5.1.5. If there is a discrepancy between words and figures, the amount in words shall prevail. If there is a discrepancy between the unit price and the total price that is obtained by multiplying the unit and quantity, the unit price shall prevail, and the total price shall be corrected.
- 5.1.6. Delivery Period - The delivery period shall be within three (3) months after the date of signing the contract. Delivery must be for a complete schedule. Partial delivery shall not be accepted.
- 5.1.7. Tenders shall provide proof of successful completion (within the stipulated delivery period) of similar undertaken in the past two years.
- 5.1.8. Shipping Mode - Bidders must give both AIR Freight and SEA freight charges.
- 5.1.9. Shipping Term - Bidders must provide Shipping incoterms as CIF.

3.2 General Information

EFL is seeking bid for the supply of the Radiator unit for the Cummins QSK38-G3 housed in a C1250 D2R Power Box 20X. This radiator which is to be supply must be operating efficiency at an ambient temperature of 50°C. Currently the Generator unit is located at EFL's Rokobili Power Station.

Generator detail below:

3.3 Engine Specification:

Table 1 Generator details

Prime mover	
Engine No,	33200921
Rated Power.	1000KW
S,D, No,	63560-5
D.O. Manufacturing	
Model	QSK38-G3
Alternator	
Model No.	
Serial No.	X14F254712
Oder No.	N027612
Radiator	
Model	
Brand Name	FAST Radiator
Certification	ISO 9001
Main Material	Copper Core.
Ambient Temp	50°C
Max. OP. Temp	121°C

3.4 Environmental Condition

Ambient temperature	50°C
Climate	Dry Tropical
Humidity	90%
ATM	`5-10m above Sea Level

3.5 Schedule of Requirements

Schedule	Description of materials	Model Number
A	Supply of Radiator Unit for Containerized Cummins QSK38-G3	FCA0047-50

Schedule on performance to be completed by all Bidders

List past performance of delivery of similar items;

	Types of Spares	Name of Company delivered to	Date of Order	Delivery Time	Fully or partial or not delivered
1	Radiator for containerized Cummins QSK38 Generator Engines				

4.0 Price Schedule

Supply of Radiator Unit for Containerized Cummins QSK38-G3

Item	Item Description	Model Number	Quantity	Unit Price	Total Price Currency: _____
	Cummins QSK38-G3;				
[1]	Radiator Core with Upper and Lower Tanks assembly*	FCA0047-50	3		
[2]	Freight (CIF)				
TOTAL (VEP)					
VAT 9% **					
TOTAL (VIP) **					

*Appendix – 3D Model of the Radiator

** VIP price is for only local based supplier

Notes:

1. In case of discrepancy between unit and total cost, the unit cost shall prevail.
2. For Foreign Supplier, any On-Shore work with incur a withholding Tax of 15% e.g. commissioning, training etc.
3. Documentary evidence to prove that the items offered comply with the Technical Specification must be provided.
4. The bids must as per the Technical Specifications in the Tender Documents. Bids that do not conform to the technical Specification will be disqualified
5. The currency used in the tender bid prices must be indicated in the tender bid
6. EFL financial terms are applicable for these works.
7. Any advance payment will require a bank guarantee.
8. EFL uses FIDIC Contract documents for its contracts.
9. Failure to submit required documents may affect bid compliance. Failure to submit mandatory items as stated in Compliance Checklist will result in non-compliance.

4.1 Compliance Checklist Declaration

I _____ of _____ located at _____ confirm that the bid submitted for the following tender MR 24/2022 : Supply of Radiator Unit for Containerized Cummins QSK38-G3 bid complies with the mandatory bidder submission as stated in Sub Clause 2.6;

	Yes	No	Comments
Price Schedule			
Company Profile			
Detailed Scope of Supply			
Statement of Exclusion or Amendment for Tender Specification (if Any)			
Program [preferred Gantt Chart]			
Shipping Term - CIF			
Payment Term			
Price Validity [preferred 60 days]			

Scope of Supply;

	Yes	No	Comments
Radiator (50°C) [J130-0131]			
Warranty			

Note that these submissions are mandatory submission for a successful tender bid. This declaration must be signed and submit as well.

Name: _____

Position: _____

Company: _____

Sign Off: _____

Date: _____

4.2

Tender Checklist

The Bidders must ensure that the details and documentation mention below must be submitted as part of their tender Bid

Tender Number _____

Tender Name _____

1. Full Company / Business Name: _____

(Attach copy of Registration Certificate)

2. Director/Owner(s): _____

3. Postal Address: _____

4. Phone Contact: _____

5. Fax Number: _____

6. Email address: _____

7. Office Location: _____

8. TIN Number: _____

(Attach copy of the VAT/TIN Registration Certificate - Local Bidders Only (Mandatory))

9. FNPF Employer Registration Number: _____ **(For Local Bidders only) (Mandatory)**

10. **Provide a copy of Valid FNPF Compliance Certificate (Mandatory- Local Bidders only)**

11. **Provide a copy of Valid FRCS (Tax) Compliance Certificate (Mandatory Local Bidders only)**

12. **Provide a copy of Valid FNU Compliance Certificate (Mandatory Local Bidders only)**

13. Contact Person: _____

I declare that all the above information is correct.

Name: _____

Position: _____

Sign: _____

Date: _____

5.0 Tender Form

Jitendra Reddy
Manager Procurement, Inventory & Supply Chain
2 Marlow Street,
Suva,
Fiji Islands,
Phone: +679 3224360/9992400
Email: tenders@efl.com.fj

Sir,

1. Having examined the Tender Document, the receipt of which is hereby duly acknowledged, we, the undersigned, offer to supply
.....
(Description of Goods) in conformity with the said Tender Document for the sum
.....
..... *(total tender amount in words and figures)* or such other sums as may be ascertained in accordance with the Schedule of Prices attached herewith and made part of this Tender.

2. We undertake, if our Tender is accepted, to deliver the Goods in accordance with the delivery schedule specified in the Schedule of Requirements.

4. We agree to abide by this Tender for a period of 90days from the date fixed for Tender opening under Clause 19 of the Instructions to Tenderers, and it shall remain binding upon us and may be accepted at any time before the expiration of that period.

5. Until a formal Contract is prepared and executed, this Tender, together with your written acceptance thereof and your notification of award, shall constitute a binding Contract between us.

6. We understand that you are not bound to accept the lowest or any Tender you may receive.

Dated this: _____ day of _____ 201_.

[Signature] [In the capacity of]

Duly authorized to sign Tender for and on behalf of

6.0 Submission to Tender

Bidders are requested to upload electronic copies via Tender Link by registering their interest at: <https://www.tenderlink.com/efl>

This is due to COVID 19 restrictions on movements. Therefore, EFL will not accept any hard copy submission to be dropped in the tender box at EFL Head Office in Suva.

This tender closes at 4.00pm (1600hrs) on Wednesday 23rd February, 2022.

For further information or clarification please contact our Supply Chain Office on phone (+679) 3224360 or (+679) 9992400 or email us on tenders@efl.com.fj

The bidders must ensure that their bid is inclusive of all Taxes payable under Fiji Income Tax Act.

The lowest bid will not necessarily be accepted as the successful bid.

The Tender Bids particularly the “Price” must be typed and not hand written.

Any request for the extension of the closing date must be addressed to EFL in writing three (3) working days prior to the tender closing date.

Tender Submission via email or fax will not be accepted.

9.0 Appendix

3D Modelling

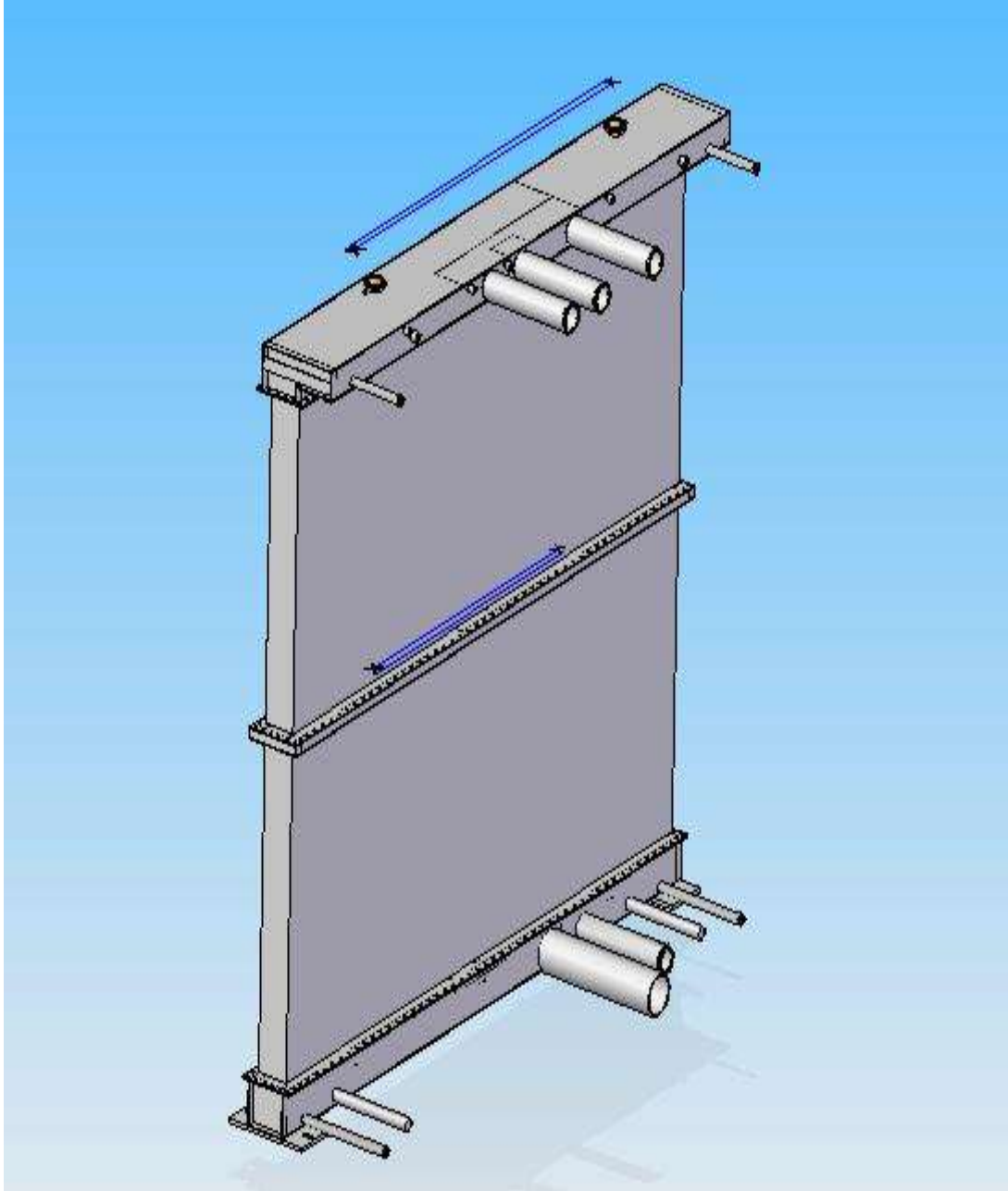


Figure 1: Radiator Core with Upper Tank and Lower Tank and other pipe fittings

Images of the QSK39-G3 Radiator



Radiator Dimensions

