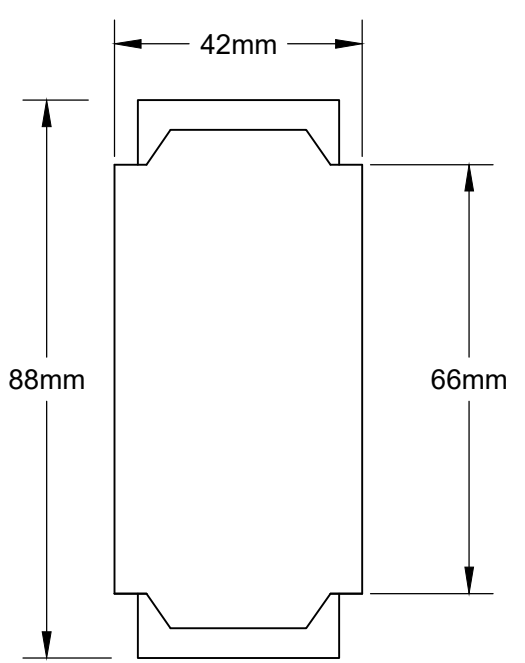
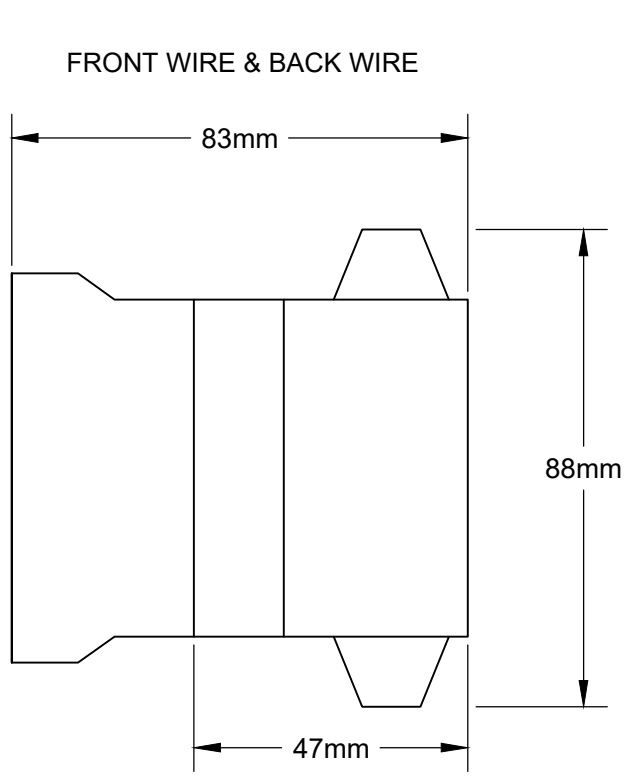
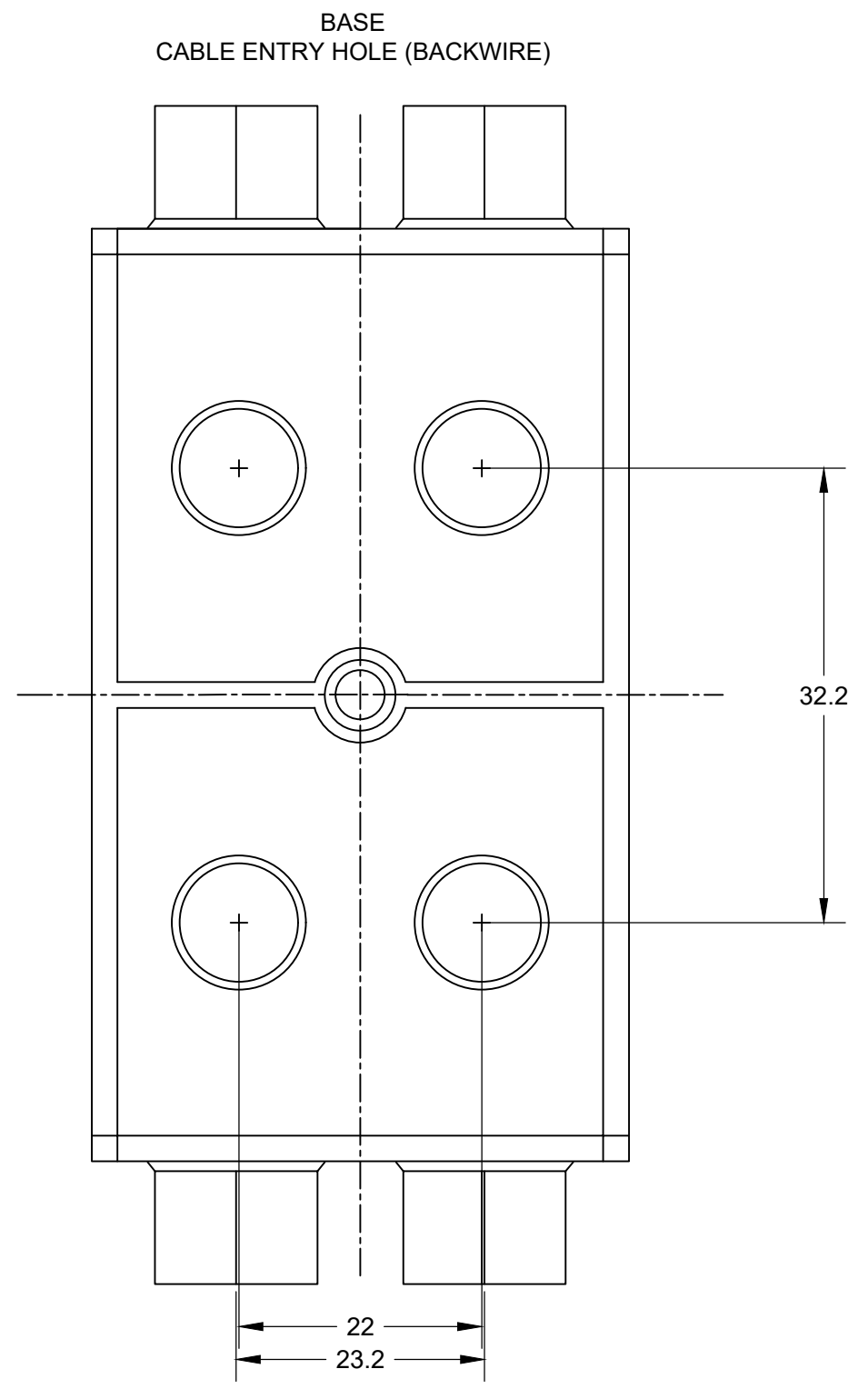


									DRAWN	SHANE	28.09.21
									CHECKED		
									CHIEF DRAUGHTSMAN		
									STANDARDS ENGINEER	RAJIV	28.09.21
	0	ISSUED FOR TENDER	28.09.21					RS	DESIGN ENGINEER		
	No.	REVISION	DATE	BY	CHK	DE	SE	APP	HEAD OF DEPARTMENT		

<b>ENERGY FIJI LIMITED</b>			
TYPICAL DIMENSIONAL DETAILS FOR CYLINDRICAL HOUSE SERVICE CUT-OUT FUSE LINKS			DRAWING NUMBER
A4	01	E39	156
SCALE - NTS			



SINGLE HOLE FIXING  
(1 x 6.35mm DIAMETER HOLE)



									DRAWN	SHANE	28.09.21
									CHECKED		
									CHIEF DRAUGHTSMAN		
									STANDARDS ENGINEER	RAJIV	28.09.21
0	ISSUED FOR TENDER	28.09.21						RS	DESIGN ENGINEER		
No.	REVISION	DATE	BY	CHK	DE	SE	APP		HEAD OF DEPARTMENT		

**ENERGY FIJI LIMITED**

TYPICAL DIMENSIONAL DETAILS FOR  
INSULATED HOUSE SERVICE CUTOUTS

DRAWING NUMBER			
A4	01	E39	157
SCALE - NTS			