



**MR 187/2024**

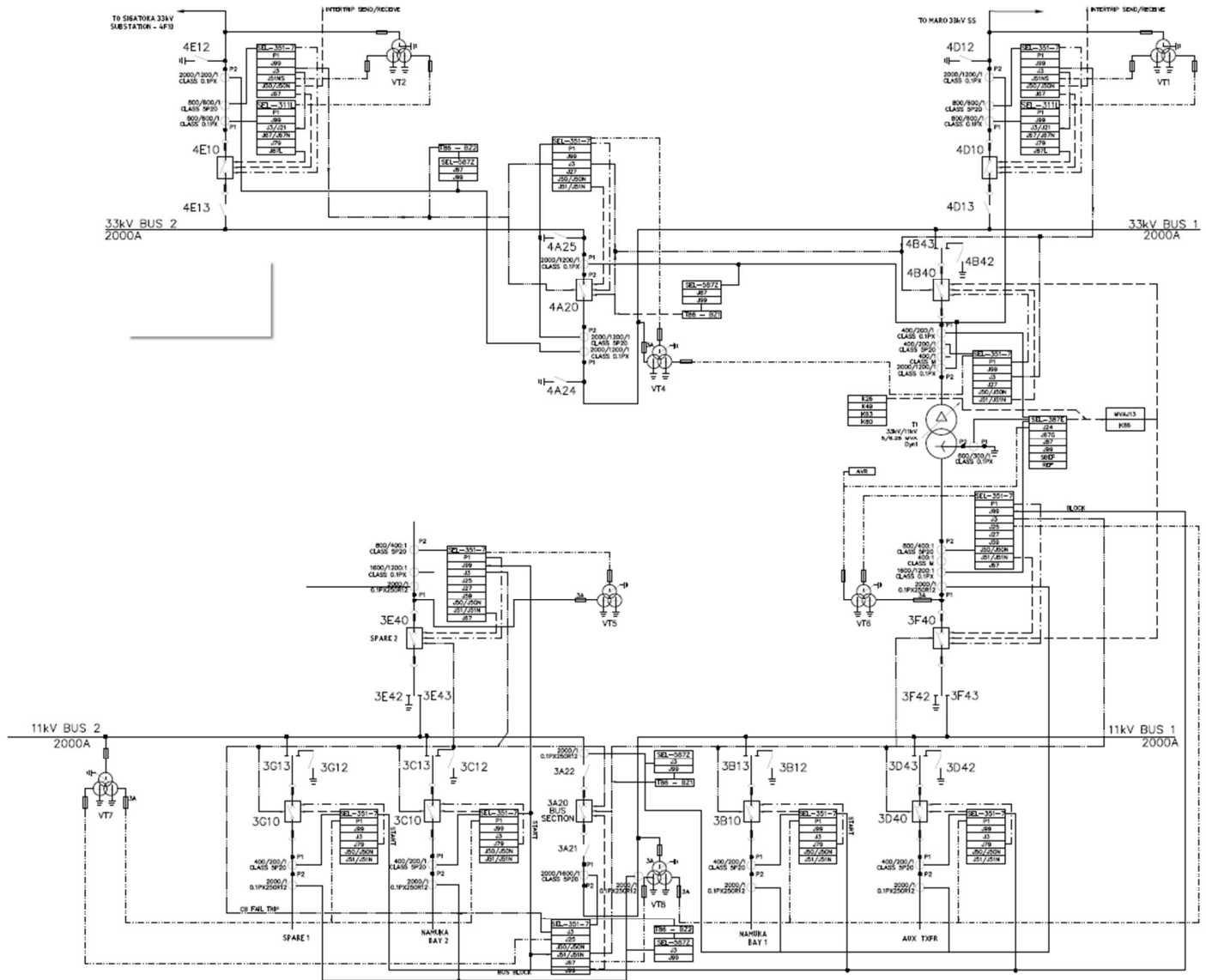
**TURNKEY DEVELOPMENT OF CUVU 33KV/11KV  
SUBSTATION PROJECT**

**ADDENDUM No. 1**

No	Description
1	<p data-bbox="349 254 602 285"><b>Section 8 – Drawings</b></p> <p data-bbox="349 312 971 344"><b>1. Cuvu Substation Protection Single Line Diagram</b></p> <p data-bbox="349 359 1279 390">Bidders are to refer to updated Protection Single Line Diagram below for this tender</p>

DESIGNATION	FUNCTION
F11	RELAY REVERSE
J3	CIRCUIT BREAKER FAIL
J21	DISTANCE PROTECTION
J24	OVER FLOODING PROTECTION (VHF)
J25	SYNCHRONISM CHECK
K28	OIL TEMPERATURE TRIP
K48	UNDERVOLTAGE
K68	WINDING TEMPERATURE TRIP
J80/20N	OVERCURRENT AND EARTH FAULT
J81N8	TIMED SENSITIVE EARTH FAULT
J81L81N	TIME OVERCURRENT AND EARTH
J88	OVER VOLTAGE
K83	PRESSURE RELIEF DEVICE TRIP
J87/87N	DIRECTIONAL OVERCURRENT AND EARTH FAULT
J70	RESTRICTED EARTH FAULT
J78	AUTO RE-CLOSE
K80	BUCHEHOLZ GAS AND SURGE TRIP
K88	TRIP LOCKOUT RELAY
J87	DIFFERENTIAL PROTECTION
J89	TRIP CIRCUIT SUPERVISION
AVR	AUTOMATIC VOLTAGE REGULATION

LEGEND	
---	TRIP
---	CLOSE
---	OT
---	VT
○	OR FAIL INTRATE TRIP



				REVISION		DESIGN		K. PRASAD		15/05/24		<b>ENERGY FIJI LIMITED</b>	
						DRAWN		M.TALUB		15/05/24			
						CHECKED						DRAWING NUMBER	
						QA CHECK						CUVU 33/11kV SUBSTATION	
						APPROVED						CONCEPTUAL PROTECTION	
												PROTECTION SLD	
												DRAWING NUMBER	
												A3   88   E11   001   0	
												SCALE	
												NTS	

No.	REVISION	DATE	BY	CHK	PSD	APP
1	ISSUED FOR TENDER PURPOSE ONLY	15/05/24				

DRAWING No.	TITLE
A2-87-E10-001	PROP 33kV GENERAL EXT. TO CUVU SS