



ENERGY FIJI LIMITED

TECHNICAL SPECIFICATION FOR BOW SHACKLES

MR 396/2024

Revision History & Document Control

Rev No.	Notes	Prepared By	Reviewed & Approved By	Date of Issue
1	Prepared by	Rajiv Singh		
2	Updated by	Anishal Chandra	Mohammed Zainal Alim	12.11.24

TABLE OF CONTENT

Revision History & Document Control.....	2
1. INTRODUCTION AND SCOPE OF WORK.....	5
1 INSTRUCTIONS TO BIDDERS	6
1.1 Eligible Bidders	6
1.2 Eligible Materials, Equipment and Services	6
1.3 One Bid per Bidder	6
1.4 Cost of Bidding	6
1.5 Site Visits.....	6
1.6 Contents of Bidding Documents.....	7
1.7 Clarification of Bidding Documents.....	7
1.8 Amendment of Bidding Document	7
1.9 Language of Bid.....	7
1.10 Bid Prices	7
1.11 Bid Currencies	8
1.12 Bid Validity	8
1.13 Format and Signing of Bids.....	8
1.14 Sealing and Marking of Bids	8
1.15 Deadline for Submission of Bids	8
1.16 Late Bids.....	8
1.17 Modification and Withdrawal of Bids	8
1.18 Rejection of One or All Bids	9
1.19 Process to be Confidential	9
1.20 Clarification of Bids.....	9
1.21 Compliance with Specifications	9
2. REFERENCES.....	10
2.1. Applicable Standard	10
3. SERVICE CONDITIONS.....	10
3.1. Environmental Conditions	10
3.2. System Conditions	10
4. DESIGN AND CONSTRUCTION.....	11
4.1.1 Bow Shackle.....	11
4.2. Technical Characteristics.....	11
4.2.1 Materials.....	11
5 PERFORMANCE AND TESTING.....	14
5.1 Type & Routine Testing.....	14
5.2 Acceptance Tests.....	14
5.3 Witnessing of Tests.....	14
5.4 Compliance	14

6	RELIABILITY	14
6.1	Service Life.....	14
6.2	Evidence in Support of Reliability.....	14
7	ENVIRONMENTAL CONSIDERATIONS	15
8	PACKAGING AND MARKING	15
8.1	Packaging	15
8.2	Marking.....	15
9	QUALITY REQUIREMENTS	15
10	STOCK AVAILABILITY	16
11	PRODUCT WARRANTY PERIOD.....	16
12	INFORMATION TO BE SUPPLIED BY THE BIDDER.....	16
12.1	Documentation to be supplied with the tender	16
12.2	Samples	17
12.3	Training	17
13	APPENDIX	18
13.1	Price Schedule	18
13.2	Technical Details – Bow Shackles	19
13.3	Submission Requirements	21

1. INTRODUCTION AND SCOPE OF WORK

Energy Fiji Limited [EFL] is responsible for generation, transmission and distribution of electricity in Viti Levu, Vanua Levu, Ovalau and Taveuni in Fiji. By January 2023, the EFL had 215,515 customers. This included residential, commercial and institutional customers.

The Energy Fiji Limited (EFL) is requesting proposal for the Preferred Supplier for supply of items listed below for EFL's consumption to carryout repair, maintenance and Construction of Power line Network in Fiji.

The preferred Supplier arrangement will be for a period of three (3) years from the date of signing of the contract. The award of this Tender may be split and awarded to more than one successful bidders. This document outlines the technical requirements for Bow Shackles.

The items covered by this specification are listed below:

No.	Stock Code	Item Description
1	I05228D	120kN Bow Shackle
2	I05228C	160kN Bow Shackle

Table 1.1: Items Covered Under this Specification

1 INSTRUCTIONS TO BIDDERS

1.1 Eligible Bidders

This invitation is open to all Bidders who have sound Financial Background, and have previous experience in design, manufacture, testing and supply of low voltage, medium voltage and high voltage overhead conductors and similar accessories.

Bidders shall provide such evidence of their continued eligibility satisfactory to EFL as EFL shall reasonably request. Bidders who are not manufacturers of such conductors shall provide evidence of agency.

Bidders shall not be under a declaration of ineligibility for corrupt or fraudulent practice.

1.2 Eligible Materials, Equipment and Services

The materials, equipment, and services to be supplied under the Contract shall have their origin from reputable companies (as specified by EFL where relevant) and from various countries and all expenditures made under the Contract will be limited to such materials, equipment, and services. Upon request, bidders may be required to provide evidence of the origin of materials, equipment, and services.

For purposes of this Contract, "services" means the works and all related services including design services.

For purposes of this Contract, "origin" means the place where the materials and equipment are mined, grown, produced or manufactured, and from which the services are provided. Materials and equipment are produced when, through manufacturing, processing or substantial or major assembling of components, a commercial recognized product results that is substantially different in basic characteristics or in purpose or utility from its components.

The materials, equipment and services to be supplied under the Contract shall not infringe or violate any industrial property or intellectual property rights or claim of any third party.

1.3 One Bid per Bidder

Each bidder shall submit only one bid. A bidder who submits or participates in more than one bid will cause all those bids to be rejected.

1.4 Cost of Bidding

The bidder shall bear all costs associated with the preparation and submission of its bid and EFL will in no case be responsible or liable for those costs.

1.5 Site Visits

Bidders can visit existing EFL networks by making arrangements to visit existing EFL installations. Bidders are required to familiarize themselves with the existing EFL installations so the solutions they offer does not require modification to existing poles and support infrastructure.

1.6 Contents of Bidding Documents

The bidder is expected to examine carefully the contents of this Bidding document. Failure to comply with the requirements of bid submission will be at the bidder's own risk. Bids which are not substantially responsive to the requirements of the bidding documents will be rejected.

1.7 Clarification of Bidding Documents

A prospective bidder requiring any clarification of the bidding documents may notify EFL in writing by email, addressed to:

Jitendra Reddy
Manager Procurement, Inventory & Supply Chain
2 Marlow Street,
Suva, Fiji
Phone: +679 331 3333 Ext 2320 or
Mobile: +679 999 2400
Email: JReddy@efl.com.fj

EFL will respond to any request for clarification which it receives earlier than 10 days prior to the deadline for submission of bids.

1.8 Amendment of Bidding Document

At any time prior to the deadline for submission of bids, EFL may, for any reason, whether at its own initiative or in response to a clarification requested by a prospective bidder, modify the bidding documents by issuing addenda.

1.9 Language of Bid

The bid, and all correspondence and documents related to the bid, exchanged between the bidder and the EFL shall be written in the English language.

1.10 Bid Prices

Unless specified otherwise, Bidders shall quote for the entire facilities on a "single responsibility" basis such that the total bid price covers all the Supplier's obligations mentioned in or to be reasonably inferred from the bidding documents in respect of the design, manufacture, including procurement and subcontracting (if any), testing and delivery.

Bidders shall give a breakdown of the prices in the manner and detail called for in this bidding document, or any issued addenda.

Bids shall be given on CIF basis. The point of delivery shall be EFL's Navutu Depot in Lautoka. The term CIF shall be governed by the rules prescribed in the current edition of Incoterms, published by the International Chamber of Commerce, Paris.

EFL has a marine insurance cover for items it is required for purchase for its project and operational works. Bidders are required to comment if the marine insurance component is covered in their bids.

1.11 Bid Currencies

Prices shall be quoted in a single currency only.

1.12 Bid Validity

Bids shall remain valid for a period of **90 days** from the date of Deadline for Submission of Bids specified in this Clause 1.15.

1.13 Format and Signing of Bids

The bidder shall provide one electronic copy of the Technical and Financial proposals on EFL's electronic tender hosting website; <https://www.tenderlink.com/efl>

The bid shall contain no alterations, omissions or additions, except those to comply with instructions issued by EFL, or as necessary to correct errors made by the bidder, in which case such corrections shall be initialed by the person or persons signing the bid.

1.14 Sealing and Marking of Bids

Due to the Covid19 restrictions on movements, bidders are encouraged to bid via Tender link Portal.

1.15 Deadline for Submission of Bids

Bids must be received by EFL at the address specified above no later than **1600 hours (Fiji Time) 11th December 2024**.

EFL may, at its discretion, extend the deadline for submission of bids by issuing an addendum, in which case all rights and obligations of EFL and the bidders previously subject to the original deadline will thereafter be subject to the deadlines extended.

1.16 Late Bids

Any bid received by EFL after the deadline for submission of bids prescribed above will be rejected.

1.17 Modification and Withdrawal of Bids

The bidder may modify or withdraw its bid after bid submission, provided that written notice of the modification or withdrawal is received by EFL prior to the deadline for submission of bids. No bid may be modified by the bidder after the deadline for submission of bids.

1.18 Rejection of One or All Bids

EFL reserves the right to accept or reject any bid, and to annul the bidding process and reject all bids, at any time prior to award of Contract, without thereby incurring any liability to the affected bidder or bidders or any obligation to inform the affected bidder or bidders of the grounds for the rejection.

1.19 Process to be Confidential

1.19.1 Information relating to the examination, clarification, evaluation and comparison of bids and recommendations for the award of a contract shall not be disclosed to bidders or any other persons not officially concerned with such process.

1.19.2 Any effort by a bidder to influence EFL's processing of bids or award decisions may result in the rejection of the bidder's bid.

1.19.3 Lowest bid will not necessarily be accepted as successful bid.

1.20 Clarification of Bids

To assist in the examination, evaluation and comparison of bids, EFL may, at its discretion, ask any bidder for clarification of its bid. The request for clarification and the response shall be in writing, but no change in the price or substance of the bid shall be sought, offered or permitted except as required to confirm the correction of arithmetic errors discovered by EFL in the evaluation of the bids.

1.21 Compliance with Specifications

The tender shall be based on the equipment and work specified and shall be in accordance with the Technical Specification. It should be noted that unless departures from specifications are detailed in Schedules of the Technical Specification, the tender would be taken as conforming to the Specification in its entirety. The Bidder shall tender for the whole of the Works included in the Specification.

2. REFERENCES

2.1. Applicable Standard

The item shall be designed, manufactured and tested in accordance with the latest edition of the Standards specified in this specification. Should inconsistencies be identified between standards and/or this specification, the tenderer shall immediately refer such inconsistencies to the EFL for resolution.

3. SERVICE CONDITIONS

3.1. Environmental Conditions

The Bow Shackles shall be designed to withstand the following service conditions.

Description	Conditions
Atmosphere	: Saliferous, corrosive and dusty
Ambient Temperature	: Peak: 40°C 24 Hour Average: 30°C Annual Average: 22°C Minimum: 10°C
Relative Humidity (Average)	: 85%
Rainfall	: Annual Average: 1900mm
Isokeraunic (Thunder day) level	: 60 thunder days per year
Seismic	: To a maximum of 7 on the open-ended Richter Scale

Note: Fiji is situated in a region where cyclones are experienced frequently. All equipment shall be designed and constructed to withstand these extreme conditions.

3.2. System Conditions

	System Voltages	
Particulars	11kV	33kV
Nominal System Voltage	11kV	33kV
Highest (Equivalent) System Voltage	12kV	36kV
Number of Phases	3	3
Impulse Withstand Voltage (peak)	95kV	200kV
Power Frequency Withstand Voltage	28kV	70kV

4. DESIGN AND CONSTRUCTION

Equipment offered that is found on inspection not to conform to this specification shall be replaced by the vendor at no cost to EFL. From the stock list in the introduction above, this technical specification highlights the detailed features of the bow shackles.

4.1. General Design

4.1.1 Bow Shackle

The Bow Shackles must be made of one piece forged steel and its performance must comply with AS 1154.1. The Bow Shackles must be supplied complete with bolts and nuts and split pin. As a minimum, the 120kN Bow Shackle must be supplied with a M16 bolt and the 160kN Bow Shackle must be supplied with a M20 bolt. The bolts must be of Grade 8.8 together with a Class 8 nut to suite the bolt.

The Bolts must be threaded in accordance with AS 1111 and the resulting thread form shall have tolerance class of 6H/8g.

Dimensions of the complete Bow Shackle must be in accordance to AS 1154.1. The Bow Shackle supplied shall be hot dip galvanized in accordance with AS/NZS4680 or AS1214 as appropriate.

Full drawing and dimensional drawings must be submitted with the tender.

4.1.2 Identification Reference

Prior to galvanizing, all fittings shall be permanently marked with the appropriate identification reference, batch identification for traceability and the manufacturer's name or trade mark. These should be applied in such a way as to remain legible after galvanizing.

4.2. Technical Characteristics

4.2.1 Materials

The following type of materials is to be used for the fabrication of the respective components

Shackle Body	Forged steel
Hex Bolt	Galvanized steel
Split Pin	Stainless steel
Hex Nut (CL 8)	Galvanized steel

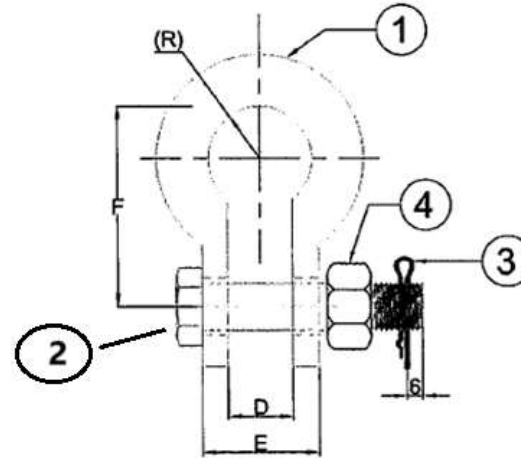
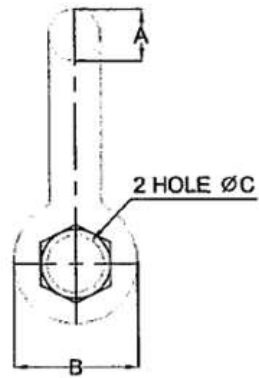
4.2.2 120kN Bow Shackle

Minimum failing load	120kN
Bolt size	M16 x 70mm
Minimum grade	8.8
Approx. weight	0.5kg

4.2.3 160kN Bow Shackle

Minimum failing load	160kN
Bolt size	M20 x 85mm
Minimum grade	5.8
Approx. weight	1.0kg

4.3 Sample Drawing for Bow Shackle



ITEM	DESCRIPTION	REQ.D	MATERIAL
1	SHACKLE BODY	1	FORGED STEEL
2	HEX BOLT	1	GLAV. STEEL
3	SPLIT PIN	1	STAINLESS STEEL
4	HEX NUT (CL 8)	1	GLAV. STEEL

PART NO.	RATINGS	A	(B)	C	D	(E)	F	R	BOLT SIZE	MIN GRADE
S-120-1	120 kN	∅16	35	∅18	22 ^{±1}	38	67	17	M16 × 70	8.8
S-160-1	160 kN	∅20	48	∅22	33 ^{±1}	70	100	25	M20 × 85	5.8

NOTES

1. All dimensions in millimetres.
2. Tolerances unless otherwise stated :
 - a. Hole diameter $\pm 0.5\text{mm}$
 - b. Linear dims. up to 30mm $\pm 1.5\text{mm}$
 - b. Linear dims. over 30mm $\pm 5\%$ up to a max of 5mm.

3. Bracketed dims.do not affect interchangeability or coupling & are for guidance only.
4. All design parameters in accordance with AS1154 Galvanizing to AS/NZS 4680
5. Identification markings: MTH / YR.MANF. & rating.

5 PERFORMANCE AND TESTING

5.1 Type & Routine Testing

Type tests and routine tests shall be done in accordance with the requirements of **AS 1154.1** and this specification. It shall be the responsibility of the supplier to perform or to have performed all the tests specified.

Copies of Type Test Certificates & Type Test Reports issued by a third party testing laboratory that is accredited to **AS 1154.1** shall be submitted with the tender for the purpose of technical evaluation. A copy of the accreditation certificate to **AS 1154.1** for the testing laboratory shall also be submitted (all in English language).

Where items of a similar design to that previously tested is offered, consideration may be given to accepting previous type test reports. Tenderers are requested to substantiate their claims of equivalent type test performance with written engineering evaluation, where full Type Test documentation is not submitted for each of the items offered. Such evaluation must provide all relevant details so that EFL can establish the validity of existing type tests.

5.2 Acceptance Tests

The EFL may carry out acceptance test on equipment to prove it conforms to the requirements of this specification. Any equipment showing evidence of failure to comply with the requirements of this specification will be liable to rejection.

5.3 Witnessing of Tests

The EFL reserves the right to witness all testing. The Supplier shall give EFL reasonable notice of when testing will be carried out and two (2) EFL engineers to be invited to witness the testing. The return-air travel, accommodation, meals and other expense related to test witnessing shall be borne by the Bidder as a value adding service.

5.4 Compliance

The Supplier shall state in writing that their offer complies with the relevant Standards and this specification. If the Supplier is offering equipment manufactured to an equivalent standard, full details of that standard must be given including a copy written in English.

6 RELIABILITY

6.1 Service Life

Bidders are required to comment on the reliability of the equipment and the performance of the materials offered for a service life of 35 years under the specified system and environmental conditions in clause 3.

6.2 Evidence in Support of Reliability

Where the specified guaranteed service life is less than 35 years Suppliers are required to provide comment and submit evidence in support of the reliability and performance claimed including detailed information on Failure Mode and Effect Analysis.

7 ENVIRONMENTAL CONSIDERATIONS

Suppliers are required to comment on the environmental soundness of the design and the materials used in the manufacture of the items offered. In particular, comments should address such issues as recyclability and disposal at end of service life and also disposal of packaging material.

8 PACKAGING AND MARKING

8.1 Packaging

The packaging of items by the bidder must ensure that they are capable of being delivered undamaged giving due consideration to the quantity, distance of transportation and the preferred method of handling at each location.

Each packaged lot shall be marked with the following information:

- Manufactures Name
- Purchase Order Number
- Contact No.
- EFL Stock Code
- Item Description
- Applicable standards
- Pack Size
- Pack Weight

8.2 Marking

The following information shall be marked indelibly and legibly on a nameplate permanently attached to the bow shackles in English language:

- Technical characteristics (Minimum failing load)
- The manufacturer's name or trade mark
- The year of manufacture

9 QUALITY REQUIREMENTS

Tenderers are required to submit evidence that the design and manufacture of the Bow Shackles are in accordance with AS/NZS ISO 9001 and shall include the Capability Statement associated with the Quality System Certification.

If the Tenderer is a non-manufacturing supplier, the documentary evidence shall include the quality system certifications of both the supplier and the manufacturer.

10 STOCK AVAILABILITY

The bidder is required to show the size of his/her stock holding and the ability to meet the required estimate quantity per annum. The movement of the Bow Shackles will depend on the EFL's project works and for operation and maintenance purposes. An estimate movement of the items are outlined in the table below but it will not be purchase as a lump sum quantity at once. Hence, the successful bidder will be required to carry a consignment / safety stock at times to meet EFL's demand within the three year contract period.

Bidders must not base their price on EFL to buy the entire quantity mentioned below within the contract period.

No.	Stock Code	Item Description	Approximate 3 Year Stock Movement
1	I05228D	120kN Bow Shackle	1732
2	I05228C	160kN Bow Shackle	799

11 PRODUCT WARRANTY PERIOD

The bidders are required to provide the warranty period as part of the proposal. A minimum warranty period of twenty-four (24) months from time of dispatch from factory shall be provided.

12 INFORMATION TO BE SUPPLIED BY THE BIDDER

12.1 Documentation to be supplied with the tender

To enable the EFL to fully evaluate the bow shackles offered, (in addition to the completed Specification Requirement and Guaranteed Performance schedule) the bidder shall submit the following information with their tender: **(Note these are mandatory requirements)**

- List showing similar equipment supplied to or on order for other utilities in Australia or New Zealand or the Oceania region for the past 5 years
- Typical arrangement drawings and full details of the dimensions including drawings for the accessories offered
- Type test certificates as per Clause 5.1
- End of service life disposal methods
- Evidence of Quality Management Systems used in the manufacturing process
- Evidence of Health, Safety and Environmental plans
- Evidence of financial ability to provide the level of service and support
- Origin of materials used to manufacture the various components of the bow shackles
- Names and resumes of key team members who will be assigned to work with EFL upon successful award of the three-year supply contract (if bidder is successful)

Bidders may be asked to provide additional information during tender assessment period or following award of contract.

12.2 Samples

When requested, production samples of each item shall be submitted with the offer.

Each sample shall be delivered freight free (Delivery Duty Paid (DDP)), suitably packaged and labelled with the following information:

- Name of supplier and this contact number
- Tender number
- Any supporting data on features or characteristics

12.3 Training

Training material in the form of drawings, instructions and/or audio visuals (in CD format) are required to be provided for the items accepted under the tender. The Tenderers shall allow the cost of production and delivery of training material in the tendered prices.

The training materials should include but not be limited to the following topics:

- Handling
- Storage
- Application
- Installation
- Maintenance
- Environmental performance
- Electrical performance
- Mechanical performance
- Disposal

Offers of vendors who fail to furnish above particulars shall be rejected.

13 APPENDIX

13.1 Price Schedule

Bidders are required to complete the following price schedule and submit with the offer. EFL requires the bidding prices to be in CIF incoterms.

No.	Stock Code	Item Description	Unit Price (CIF)	Currency of bid
1	I05228D	120kN Bow Shackle		
2	I05228C	160kN Bow Shackle		

Bidders are to clearly indicate the currency of bid.

13.2 Technical Details – Bow Shackles

This schedule shall be completed and submitted with the offer. **(Note these are mandatory requirements)**

Particulars	Requirements	Bidders Response
Name of Manufacturer		
Batch identification for traceability	Yes/No	
Origin of materials used for manufacturing of bow shackles		
Country of manufacture		
Manufactures type test certificate number		
Name of testing authority		
Testing authority accreditation certificate provided	Yes/No	
General		
Ability to operate in environmental and system conditions as per Clause 3.1 of this specification		
Complete dimensional drawing provided for both types of bow shackles	Mandatory requirement	
6mm raised branding on forging	Yes/ No	
Galvanised to AS/NZS 4680	Yes/ No	
Dimensions in accordance with AS1154.1	Yes/ No	
Bow Shackle Details:		
Bow Shackle	Made of One piece Forged steel	
	Complies to AS 1154.1	
	Supplied complete with Bolts and Nuts and Split Pin	
	Marked with Minimum failing load	
Hex Bolt	Made of Galvanized steel	
Split Pin	Made of Stainless steel	
Hex Nut (CL 8)	Made of Galvanized steel	
Tolerances		

Hole diameter	±0.5mm	
Linear dimensions up to 30mm	±1.5mm	
Linear dimensions over 30mm	±5% up to a max of 5mm	
Technical – 120kN Bow Shackle		
Minimum failing load	120kN	
Bolt size	M16 x 70mm	
Minimum Bolt grade	8.8	
Class B Nut to suite Bolt	-	
Approx. weight	0.5kg	
Technical – 160kN Bow Shackle		
Minimum failing load	160kN	
Bolt size	M20 x 85mm	
Minimum grade	8.8	
Class B Nut to suite Bolt	-	
Approx. weight	1.0kg	
Packaging & Weight		
Packaging	No. of units per box to be labelled clearly	
Weight of each unit	Not to exceed the lifting weight	

Name of Tenderer: _____

Signature of Tenderer: _____

Date: _____

13.3 Submission Requirements

All tenderers are required to complete and submit a copy of the submission requirements with their bid submissions. **(Note these are mandatory requirements)**

Requirements	Response from Bidders
Complete technical Details.	
Validity of bid (90 days required) (Yes/No)	
List of test reports/certificates provided. (As per Clause 5)	
Minimum warranty period offered for this product	
Completed price and technical schedules (Clause 13.1 and 13.2) (Yes/No)	
The bidding pricing to be in CIF incoterm.	
Currency of bid.	
Lead time of delivery after tender award.	
Payment Conditions.	
Price review period after award of tender. (months)	
Bidders company profile outlining financial, technical and production capabilities.	
Disposal method after service life.	
Quality management system used in the production of VFD, attached certificate.	
Material safety datasheet to be provided for all items	
The bidder to include the following as part of the bid:	
Company profile	
Company registration details	
Company financial capability statement	
Reference list of customers the same product is supplied to and contact details for reference check	
If the bidder is the manufacturer, the ISO certification shall be provided	
If the bidder is only the supplier of the product, then both the manufacturer and supplier ISO certifications shall be provided	

Name of Tenderer: _____

Signature of Tenderer: _____

Date: _____

TENDER SUBMISSION CHECK LIST

The Bidders must ensure that the details and documentation mention below must be submitted as part of their tender Bid

Tender Number _____

Tender Name _____

1. Full Company / Business Name: _____

(Attach copy of Registration Certificate)

2. Director/Owner(s): _____

3. Postal Address: _____

4. Phone Contact: _____

5. Fax Number: _____

6. Email address: _____

7. Office Location: _____

8. TIN Number: _____

(Attach copy of the VAT/TIN Registration Certificate - Local Bidders Only (Mandatory))

9. FNPF Employer Registration Number: _____ **(For Local Bidders only) (Mandatory)**

10. **Provide a copy of Valid FNPF Compliance Certificate (Mandatory- Local Bidders only)**

11. **Provide a copy of Valid FRCS (Tax) Compliance Certificate (Mandatory Local Bidders only)**

12. Contact Person: _____

I declare that all the above information is correct.

Name: _____

Position: _____

Sign: _____

Date: _____

Tender submission

Bidders are requested to upload electronic copies via Tender Link by registering their interest at: <https://www.tenderlink.com/efl>

EFL will not accept any hard copy submission to be dropped in the tender box at EFL Head Office in Suva.

This tender closes at 4.00pm (1600hrs) on Wednesday 11th December 2024.

For further information or clarification please contact our Supply Chain Office on phone **(+679) 3224360** or **(+679) 9992400** or email us on tenders@efl.com.fj

The bidders must ensure that their bid is inclusive of all Taxes payable under Fiji Income Tax Act. Bidders are to clearly state the percentage of VAT that is applicable to the bid prices.

The lowest bid will not necessarily be accepted as the successful bid.

The Tender Bids particularly the “Price” must be typed and not hand written.

Any request for the extension of the closing date must be addressed to EFL in writing three (3) working days prior to the tender closing date.

Tender Submission via email or fax will not be accepted.